

Dual comparators

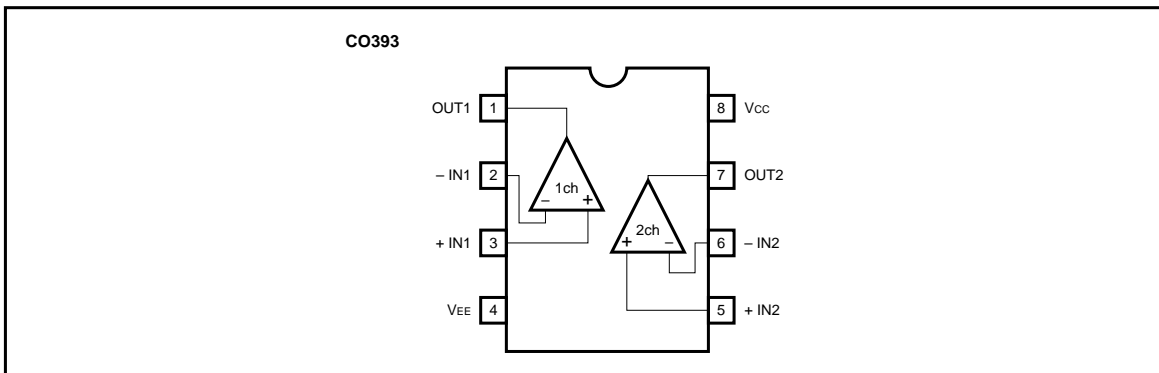
The CO393 is dual comparators with open-collector output which allows wired OR connections.

The operating power supply voltage ranges from 2 to 36V for a single power supply and ± 1 to $\pm 18V$ for a dual power supply. The packages are as follows: DIP 8-pin, SOP 8-pin.

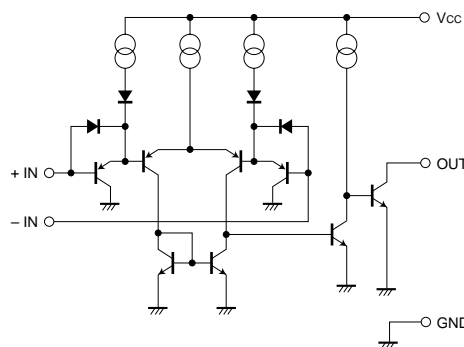
●Features

- 1) Wide operating voltage range.
(Single power supply: 2 to 36V, dual power supply: ± 1 to $\pm 18V$)
- 2) Low current dissipation. (0.4mA typ. at $V_{CC} = 5V$)
- 3) Low input offset current. (25nA typ. at $V_{CC} = 5V$) and low input offset voltage. (typically $\pm 1.0mV$ at $V_{CC} = 5V$)
- 4) Wide common-mode input voltage. (0 to $V_{CC} - 1.5V$)
- 5) Open collector output.
- 6) Compatible with 393 comparators from other manufacturers.

●Block diagram



●Internal circuit configuration



* All specs and applications shown above subject to change without prior notice.

Dual comparators

● Absolute maximum rating (Ta = 25°C)

Parameter	Symbol	Limits		Unit
		CO393 (DIP-8)	CO393 (SOP-8)	
Power supply voltage	Vcc	36(±18)	36(±18)	V
Power dissipation	Pd	800*	550*	mW
Differential input voltage	VID	±VCC	±VCC	V
Common-mode input voltage	VI	-0.3~Vcc	-0.3~Vcc	V
Operating temperature	Topr	-40~+85	-40~+85	
Storage temperature	Tstg	-55~+125	-55~+125	

* Refer to the Pd characteristics diagram.

● Electrical characteristics (unless otherwise noted, Ta = 25°C, Vcc = +5V)

Parameter	Symbol	Min.	Typ.	Max.	Unit	Conditions
Input offset voltage	Vio	—	±1	±5	mV	Vo = 1.4V
Input offset current	Iio	—	±5	±50	nA	IIN+ - IIN- , Vo = 1.4V
Input bias current	Ib	—	25	250	nA	Vo = 1.4V
Common-mode input voltage	Vicm	0	—	Vcc-1.5	V	
Voltage gain	Av	93	106	—	dB	RL = 15kΩ, Vcc = 15V
Quiescent current	Iq	—	0.4	1	mA	RL = ∞, on All Comparators
Output sink current	I _{sink}	6	16	—	mA	VIN- = +1V, VIN+ = 0V, Vo = 1.5V
Output saturation voltage	Vol	—	250	400	mV	VIN- = +1V, VIN+ = 0V, Isink = 4mA
Output leakage current	I _{leak}	—	0.1	—	nA	VIN+ = +1V, VIN- = 0V, Vo = 5V
Response time	tr	—	1.3	—	μs	RL = 5.1kΩ, VRL = 5V

ORDERING INFORMATION

CO393 X
 └───┬───┘
 BLANK: SO-8
 N:DIP8
 A:SO- & TAPING

* All specs and applications shown above subject to change without prior notice.

Dual comparators

●Electrical characteristic curves

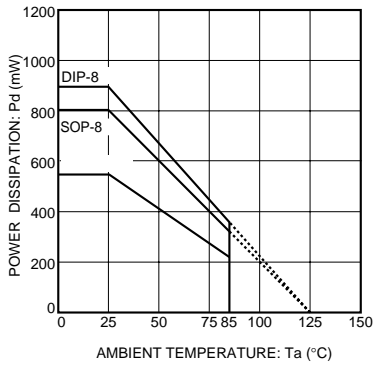


Fig. 1 Power dissipation vs. ambient temperature

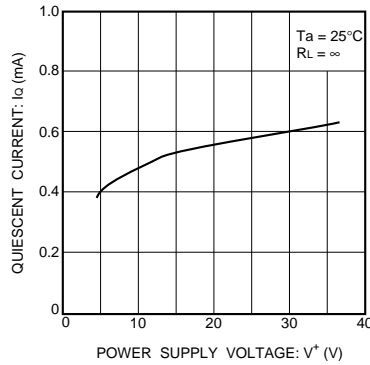


Fig. 2 Quiescent current vs. power supply voltage

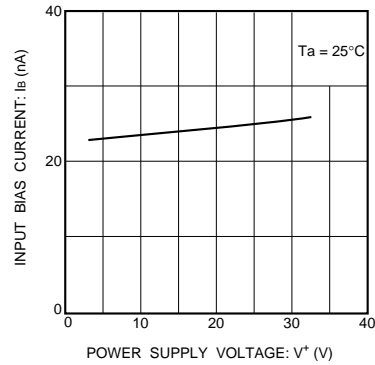


Fig. 3 Input bias current vs. power supply voltage

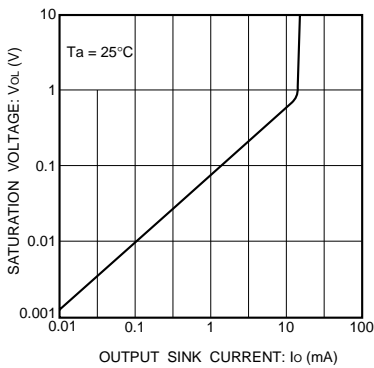


Fig. 4 Output saturation voltage vs. output current

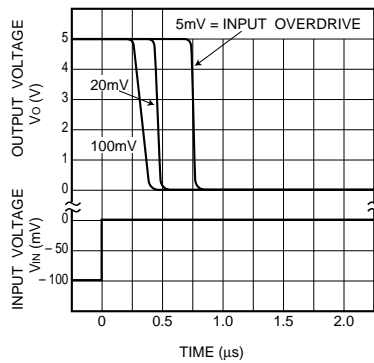


Fig. 5 Propagation characteristics (I)

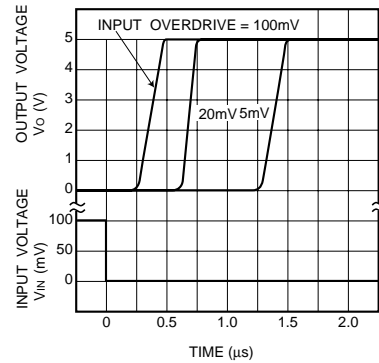


Fig. 6 Propagation characteristics (II)

* All specs and applications shown above subject to change without prior notice.

Dual comparators

●Operation notes

(1) Handling unused circuits

If a circuit is not in use, we recommend connecting it as shown in Figure 7, so that its input is connected to the potential within the in-phase input voltage range (V_{ICM}) and the output is left open.

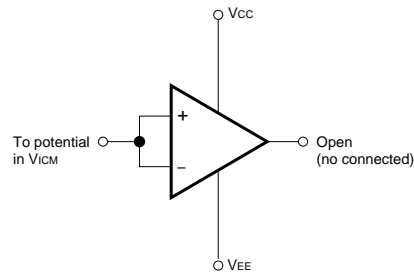
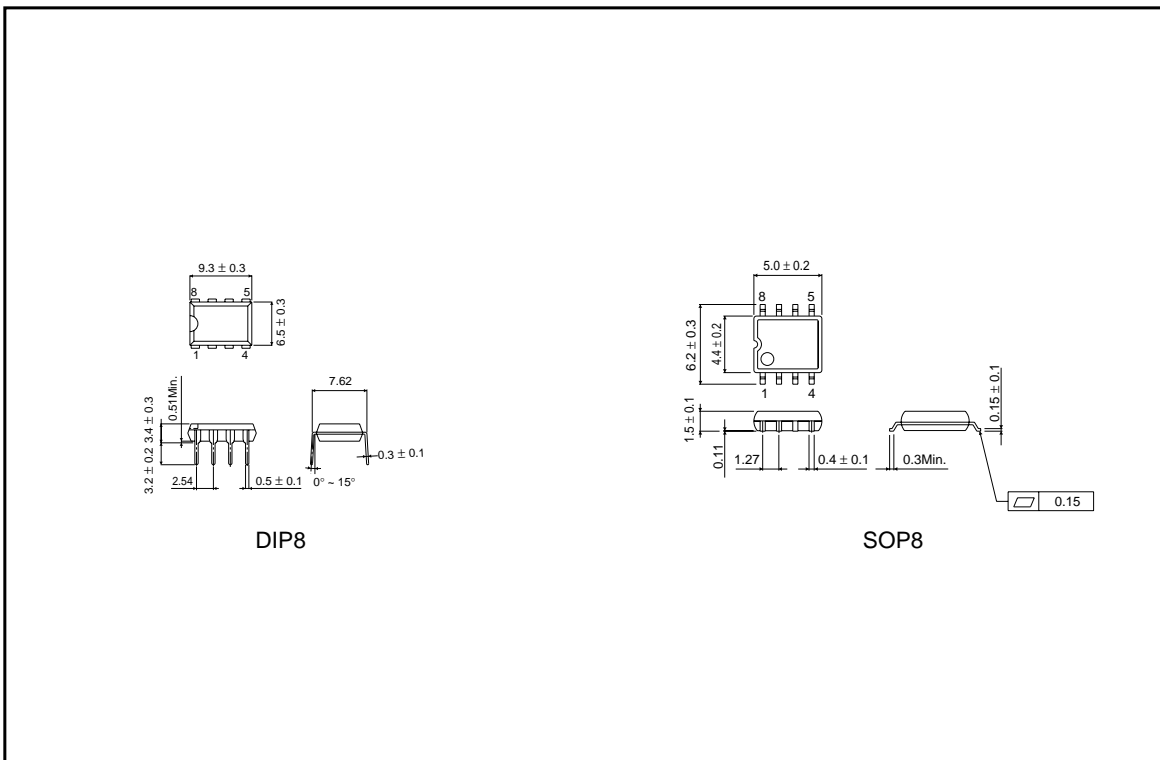


Fig. 7 Example of unused circuit connection

●External dimensions (Units: mm)



* All specs and applications shown above subject to change without prior notice.